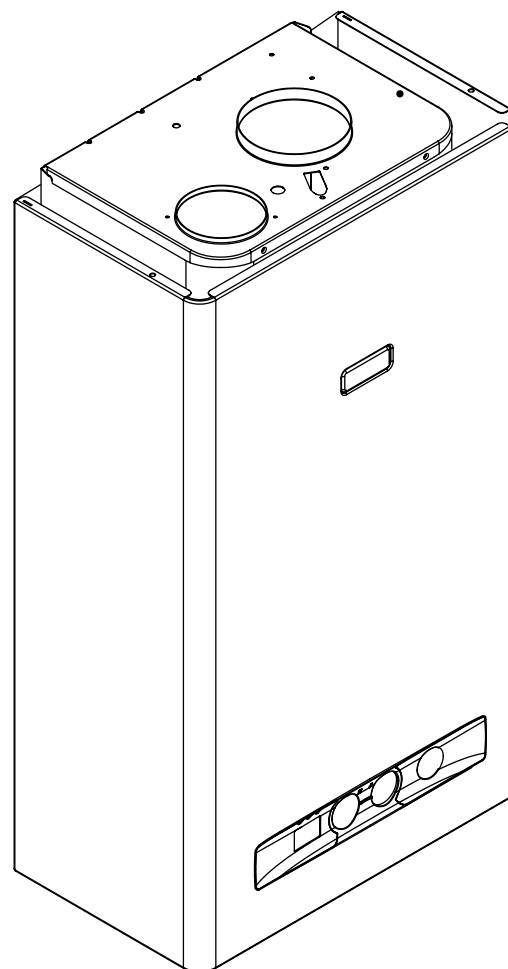




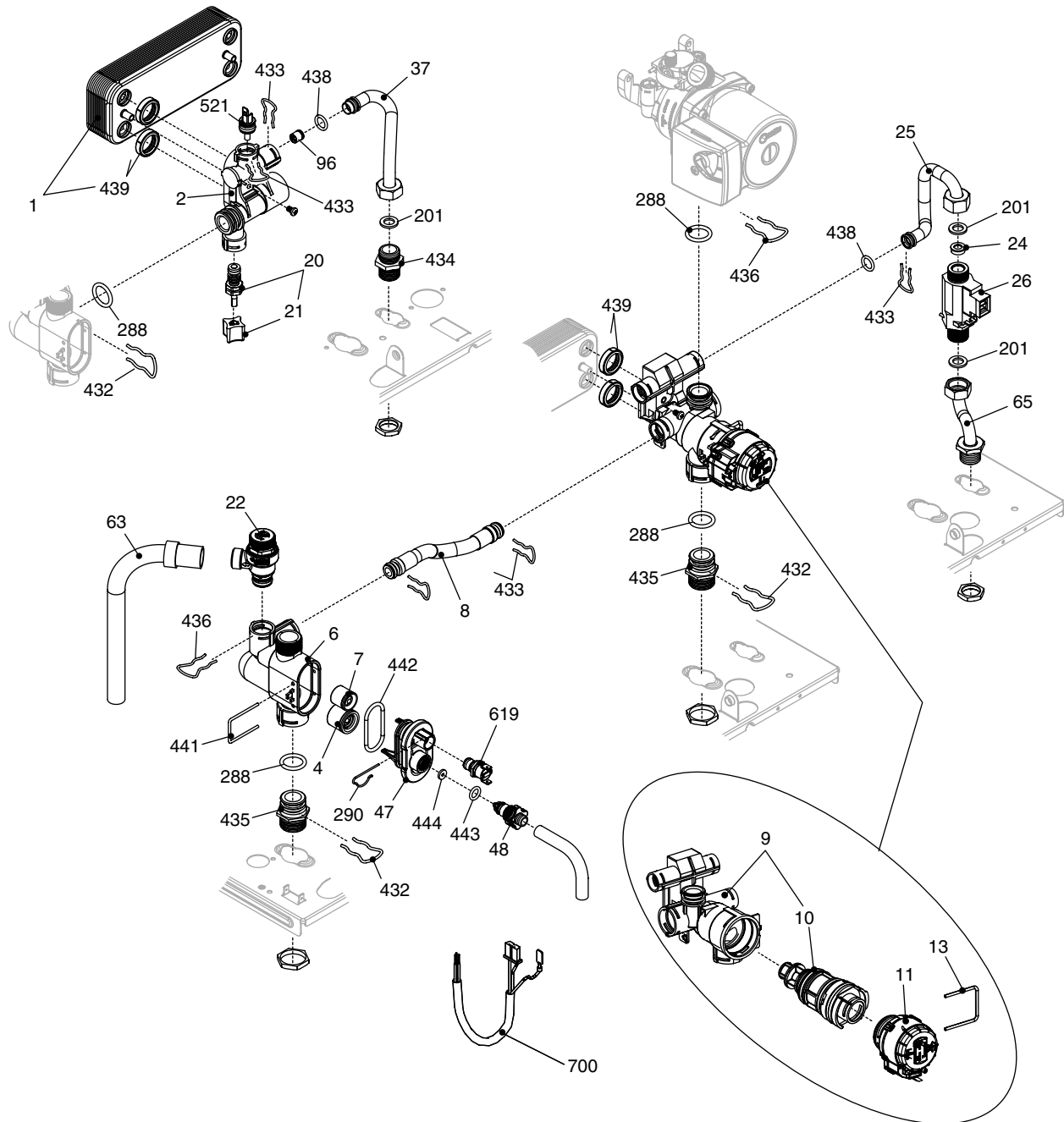
Wall hung boilers

Caldariello Condens 25 KIS

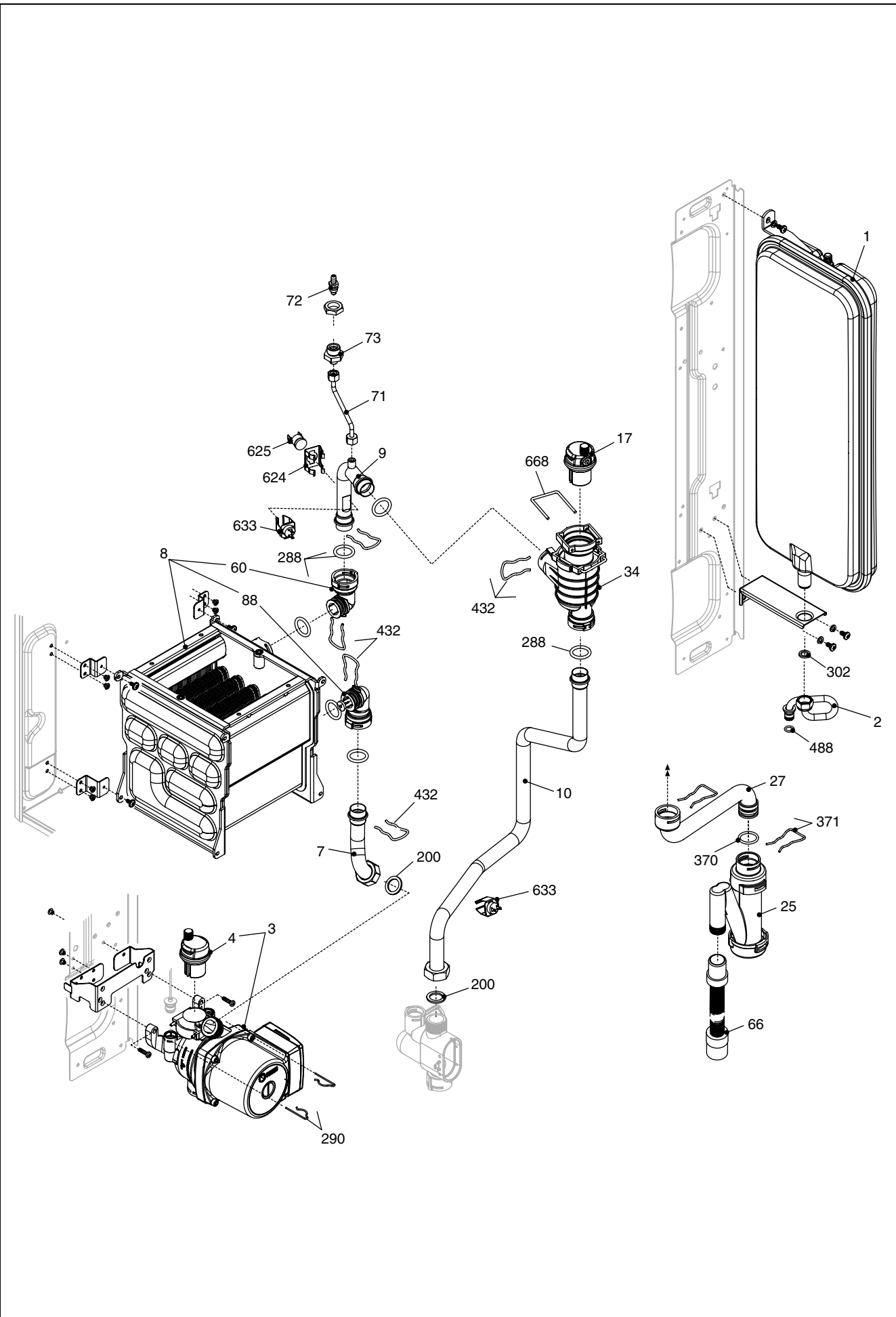


MODEL	PART NUMBER	
	MTN	GPL
Caldariello Condens 25 Kis	20041187 (G60)	20041188 (G70)

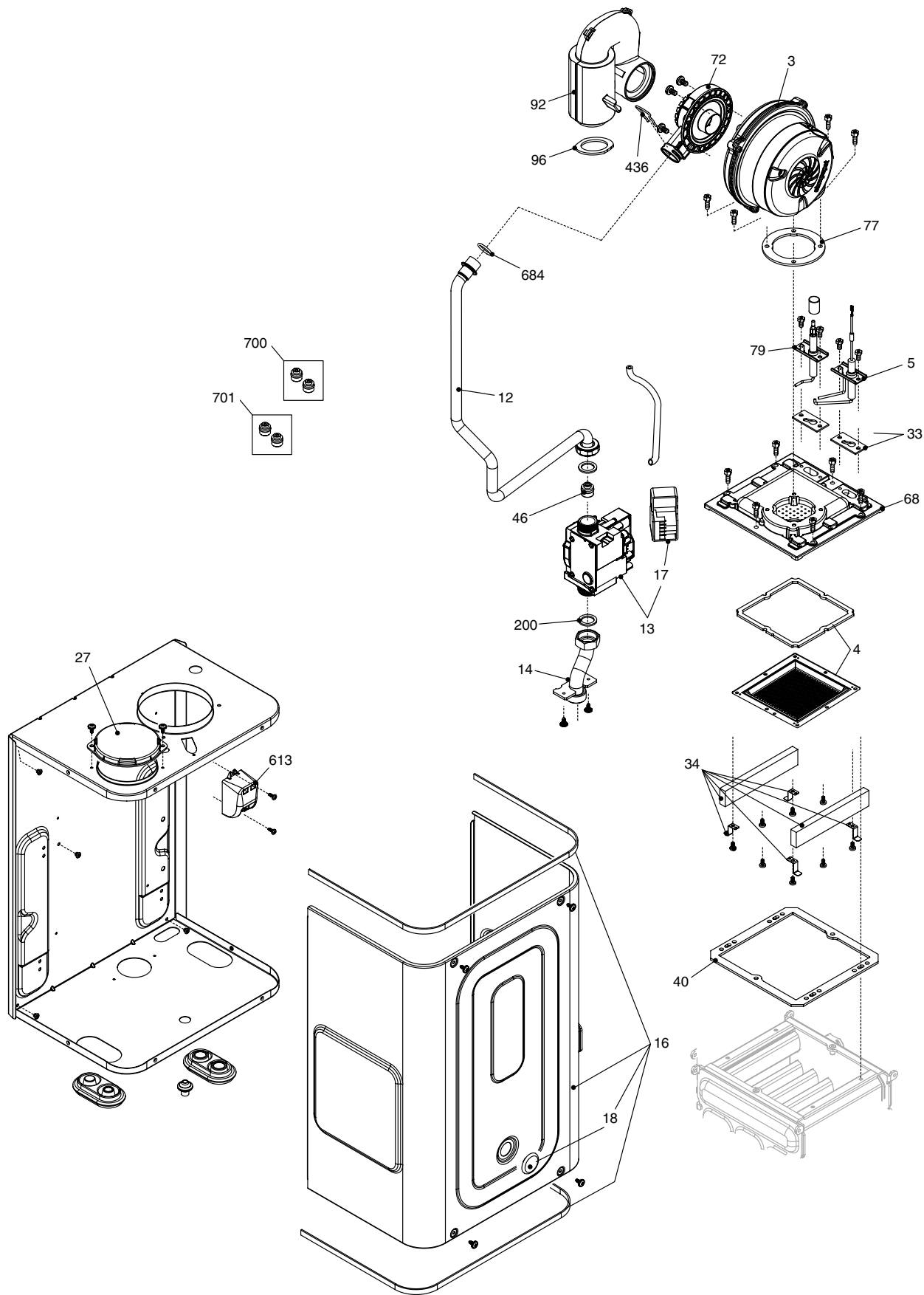
POS.	DESCRIPTION	25kis
1	Frame	4366864
12	Pressure gauge	4366836
18	Cover assembly	4R001073
20	Printed circuit board	4R001074
26	Instrumental panel	4366903
27	Knob	4366841
28	Knob	4366910
31	Case	4366865
63	Water gauge carrier	4366843
75	Card reader kit	4366902
724	Nut screw	4R101075
800	Wiring harness	4R001108
801	Cable	4365253
802	Power wiring harness	4366845
803	Wiring harness	4366911



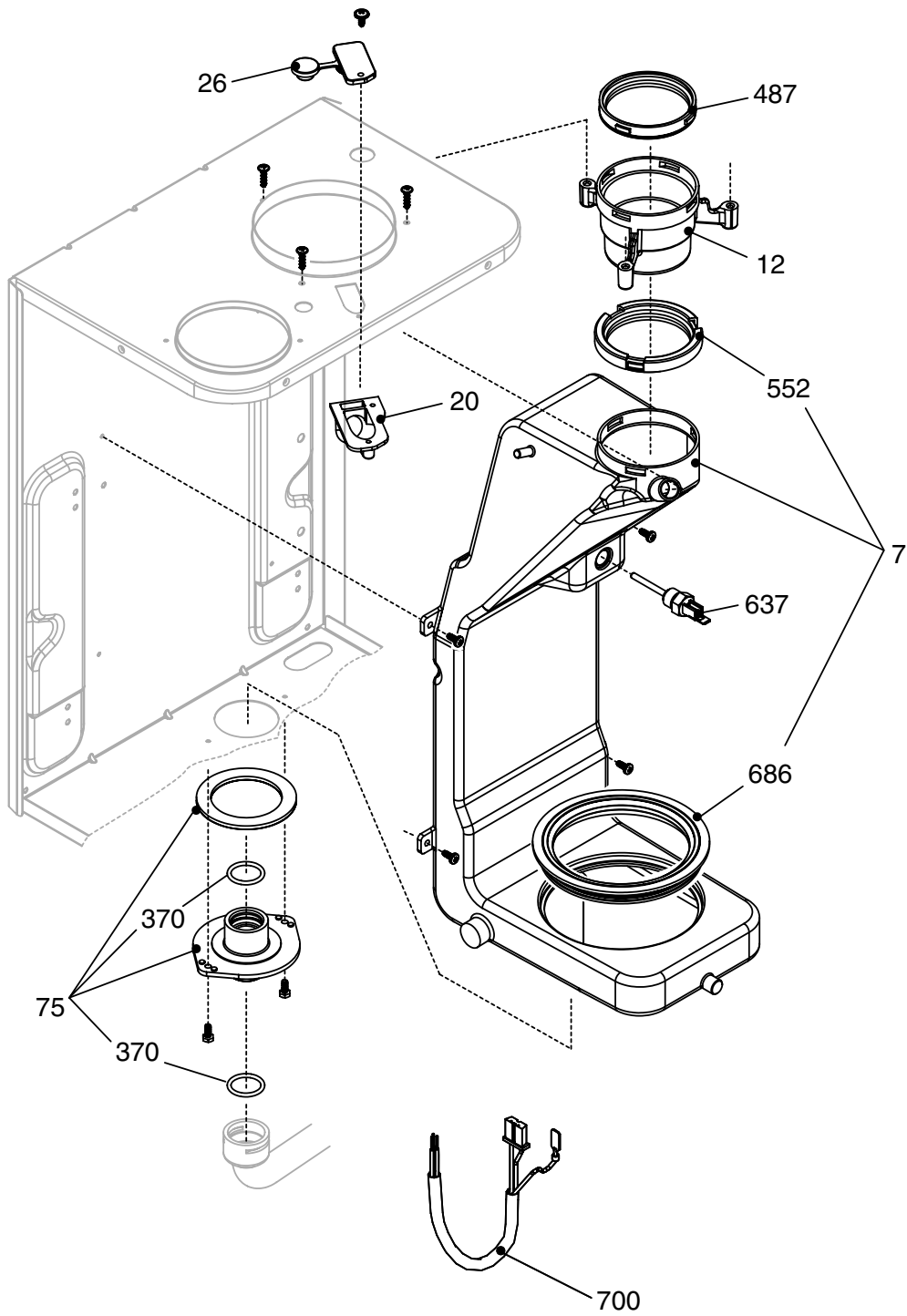
POS.	DESCRIPTION	25kis
1	Exchanger	4364200
2	Hydraulic group	4365951
4	Non return valve	4365749
6	By-pass casing	4365750
7	By-pass valve	4365043
8	Pipe	4365732
9	Valve with cartridge	4366914
10	Cartridge	4R001062
11	Actuator	4366916
13	Clip	4366918
20	Filling cock	4365751
21	Knob	4364248
22	Safety valve	4R001077
24	Flow governor	4365755
25	Pipe	4365733
26	Dhw actuator	4365081
37	Pipe	4366917
47	Cover for by-pass assembly	4365753
48	Cock	4365752
63	Pipe	4365759
65	Pipe	4365736
96	Non return valve	4366134
201	Washer	4363391
288	Ring	4364282
290	Clip	4364751
432	Clip	4365623
433	Clip	4365761
434	Nipple	4365762
435	Fitting/union	4365763
436	Clip	4365764
438	O ring	4365766
439	Washer	4365767
441	Clip	4365768
442	O ring	4365769
443	O ring	4365770
444	Washer	4365771
521	NTC sensor	4365765
619	Pressure	4366853
700	Hydraulic control cable	4366912



POS.	DESCRIPTION	25kis
1	Expansion vessel	4R000058
2	Pipe	4366919
3	Pump	4R001078
4	Air vent bottle	4365707
7	Pipe	4R001079
8	Condensing exchanger assembly	4R001081
9	Pipe	4R001082
10	Pipe	4R001083
17	Air vent valve	4366956
25	Siphon	4R001080
27	Pipe	4R001084
34	Degasser kit	4366959
60	Connection	4R001085
66	Flexible pipe	4R001086
71	Pipe	4R001087
72	Vent plug	4365159
73	Cock	4366067
88	Connection	4R001088
200	Washer	4363389
288	Ring	4364282
290	Clip	4364751
302	Washer	4363390
370	O ring	4365406
371	Clip	4365407
432	Clip	4365623
488	O ring	4364959
624	Clip	4363608
625	High limit thermostat	4366881
633	Water detector	4365863
668	Clip	4366963



POS.	DESCRIPTION	25kis
3	Fan	4052202
4	Burner	4R001433
5	Ignition electrode	4R001089
12	Gas pipe	4R001090
13	Gas valve	4R000835
14	Pipe	4366886
15	Gas valve solenoid	4R000824
16	Combustion chamber cover	4366983
18	Plug	4366984
27	Hole cover	4366888
33	Seal ignition electrode	4R001091
34	Protection	4R001434
40	Washer	4R001435
46	Gas orifice - Nat	4364829
68	Cover	4R001436
72	Mixer	4R001092
77	Washer	4R001093
79	Electrode	4R001094
92	Suction pipe	4R001095
96	Diaphragm	4R001096
96	Diaphragm	4R001109
200	Washer	4363389
436	Clip	4365764
613	Ignition transformer	4366419
684	Washer	4R001110
700	G20 conversion kit	4R001431
701	LpG conversion kit	4R001432



POS.	DESCRIPTION	25kis
7	Conveyor	4R001097
12	Flue drain connection	4365881
20	Outlet nut	4R001098
26	Plug	4R001099
75	Flue collector	4R001100
370	O ring	4365406
487	Washer Ø 60	4365889
552	Washer Ø 60	4366238
637	Flue sensor	4366463
686	Washer	4R001101
700	Combustion cable	4R001102

Rev.	data	Descrizione
1.0	27/03/2012	Aggiunte trasformazioni – gestione componenti bruciatore E00120120102 : valvola di non ritorno



Riello reserve the right to change the specifications without prior notice.
Consumers' statutory rights are not affected.

Riello se réserve le droit de modifier les caractéristiques et les données reportées dans le présent fascicule
à tout moment et sans préavis, dans le but d'améliorer les produits.